

# Integrated Air And Missile Defense Missile Defense Agency Perspective



**13 JUL 10**

Distribution Statement A:  
Approved for public release;  
distribution is unlimited

**LTG Patrick J. O'Reilly, USA**  
**Director**  
**Missile Defense Agency**



# **Ballistic Missile Defense Review Policy Priorities**

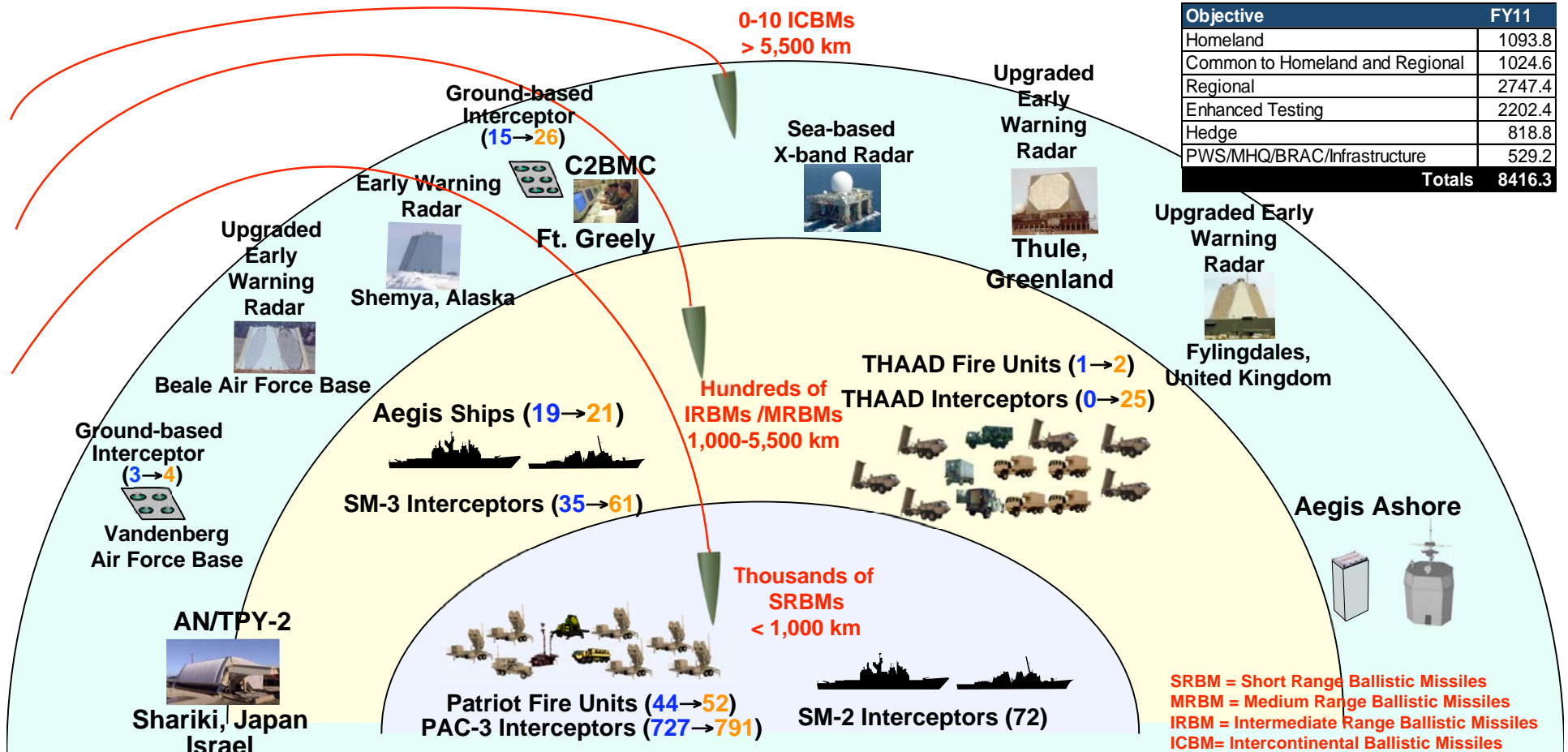
## **– Guidance From The President, Published February 2010 –**

---

- **The United States will continue to defend the homeland against the threat of limited ballistic missile attack**
- **The United States will defend against regional missile threats to United States forces, while protecting allies and partners and enabling them to defend themselves**
- **Before new capabilities are deployed, they must undergo testing that enables assessment under realistic operational conditions**
- **The commitment to new capabilities must be fiscally sustainable over the long term**
- **United States ballistic missile defense capabilities must be flexible enough to adapt as threats change**
- **The United States will seek to lead expanded international efforts for missile defense**



# Layered Ballistic Missile Defense 2010



Objective	FY11
Homeland	1093.8
Common to Homeland and Regional	1024.6
Regional	2747.4
Enhanced Testing	2202.4
Hedge	818.8
PWS/MHQ/BRAC/Infrastructure	529.2
<b>Totals</b>	<b>8416.3</b>

- THAAD provides **rapid worldwide response** against SRBMs and MRBMs
- Aegis provides **mobile and semipermanent response** against SRBMs, MRBMs and IRBMs
- Ground-based missile defense provides **permanent defense of homeland** against limited ICBM attack



# Air And Missile Defense

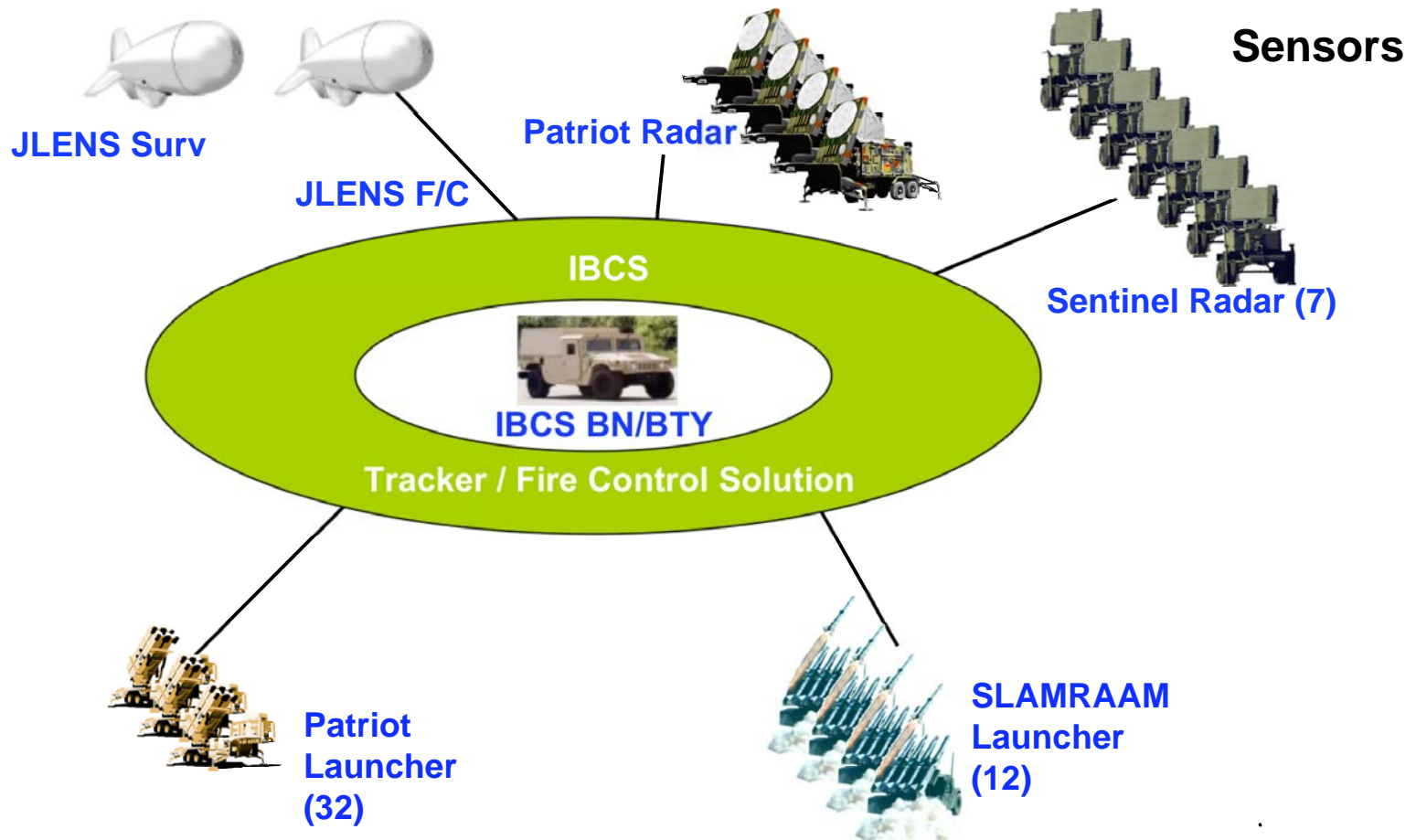
## – Air Breathing Threat View –





# Army Integrated Battle Command System (IBCS)

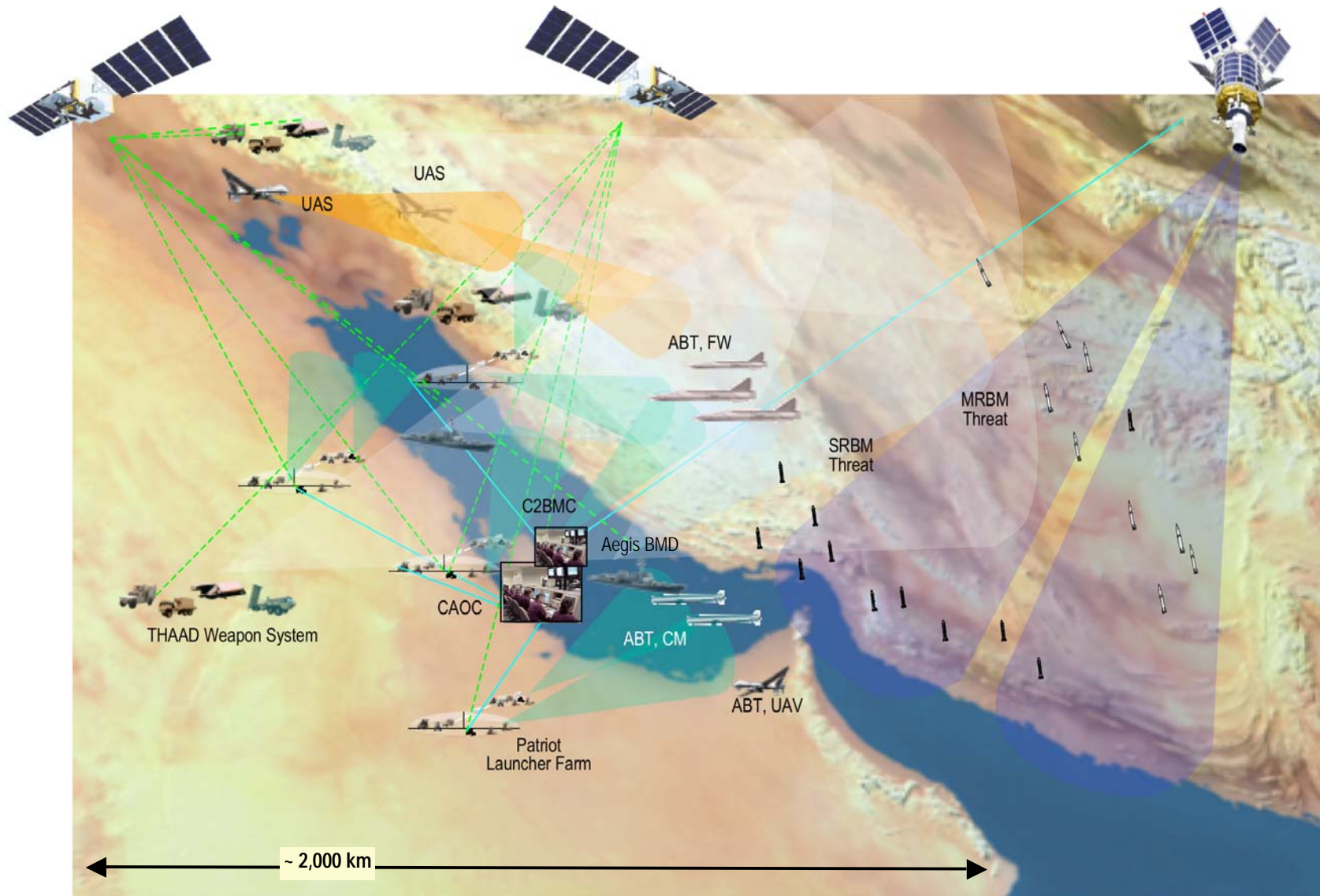
## – IBCS Fire Control Architecture –





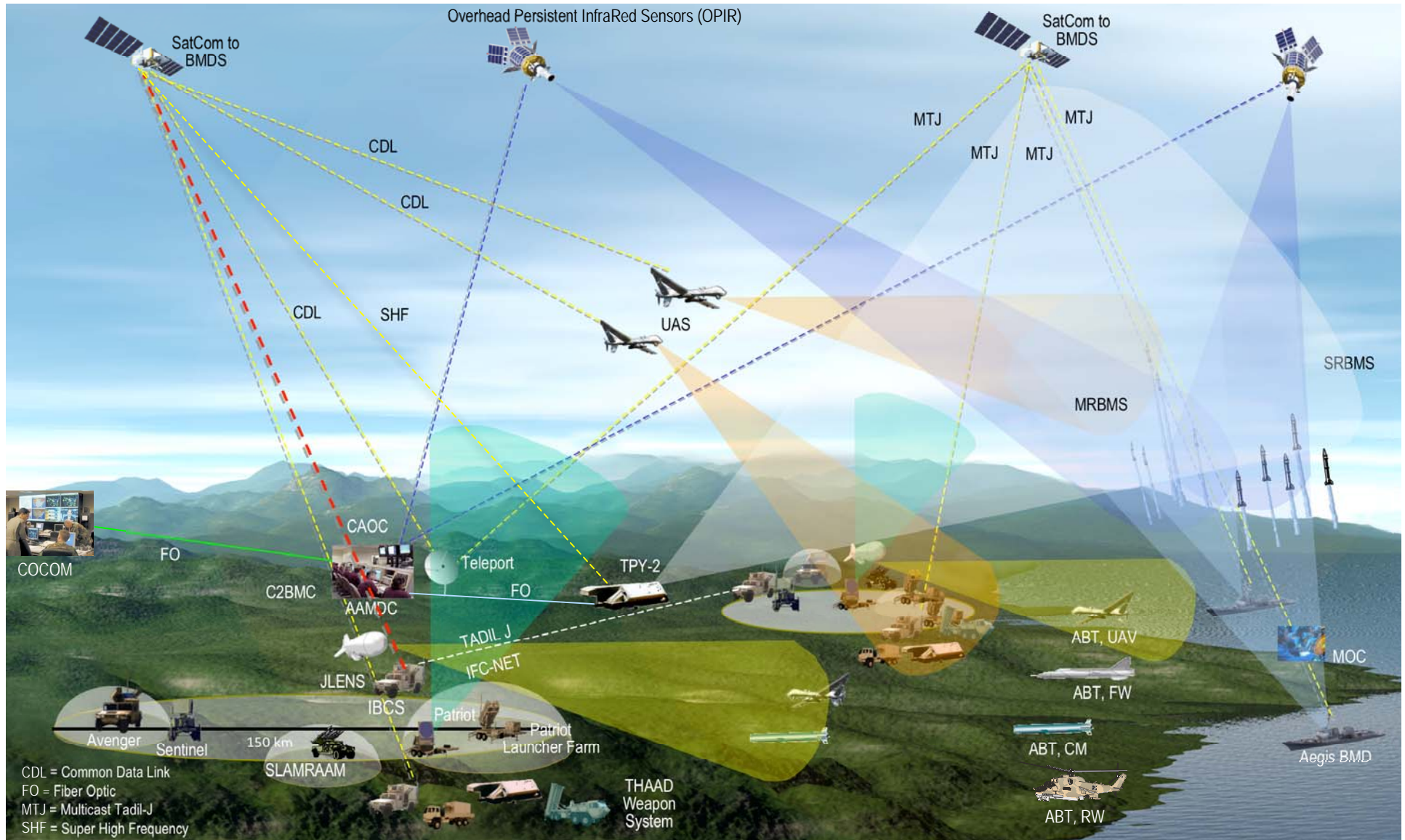
# Air And Missile Defense

## – Ballistic Missile Defense View –



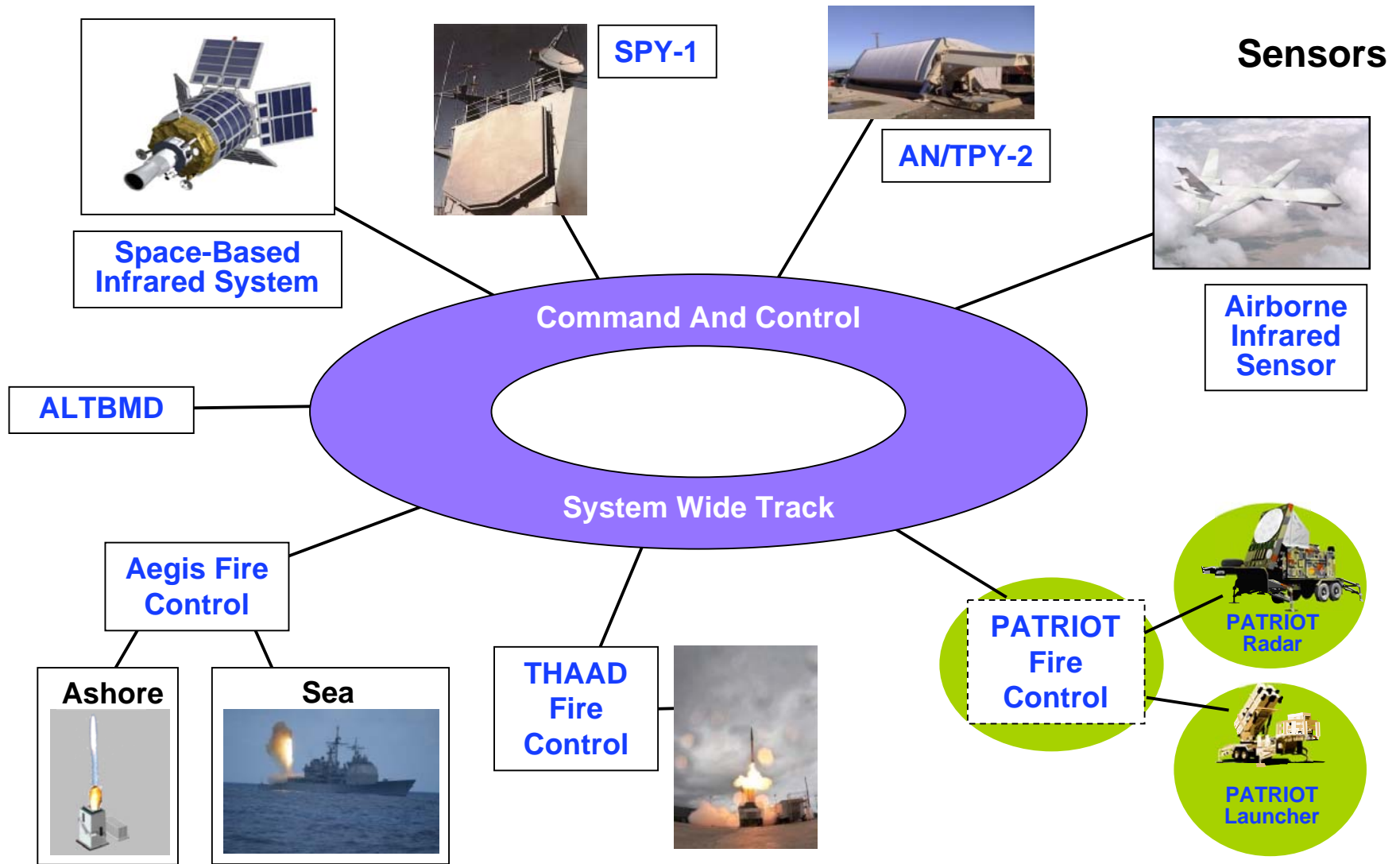


# Integrated Air Breathing Threat And Missile Defense





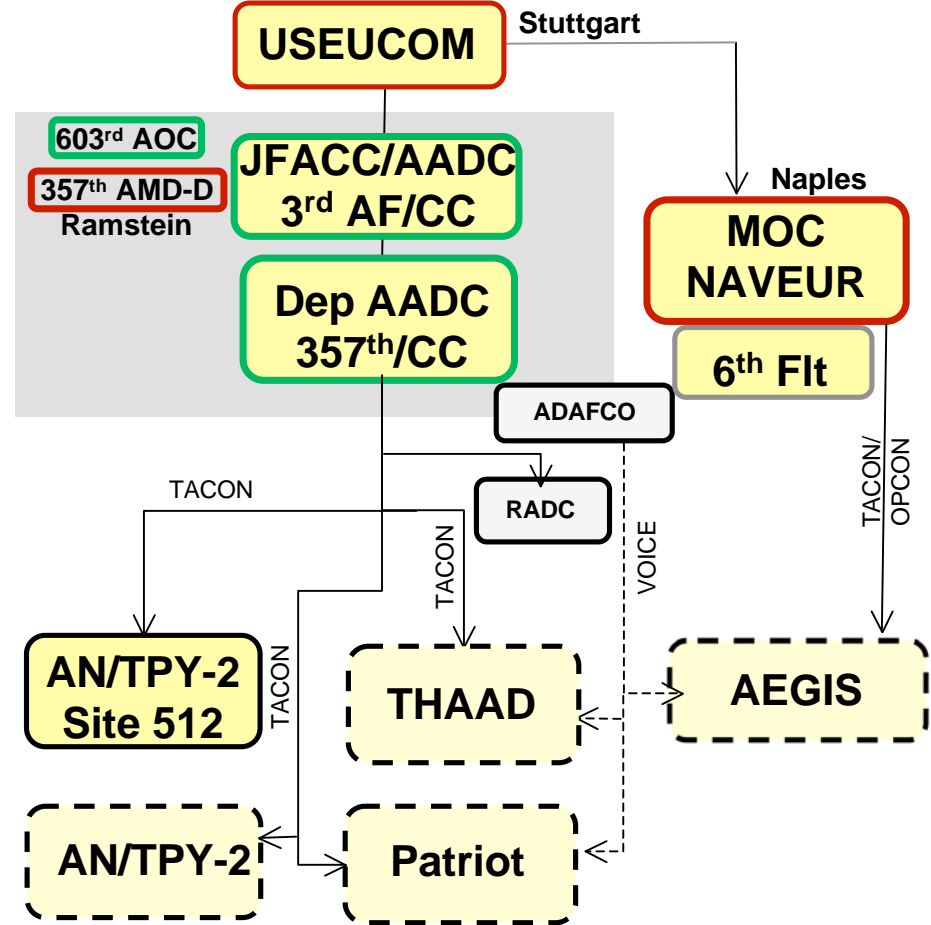
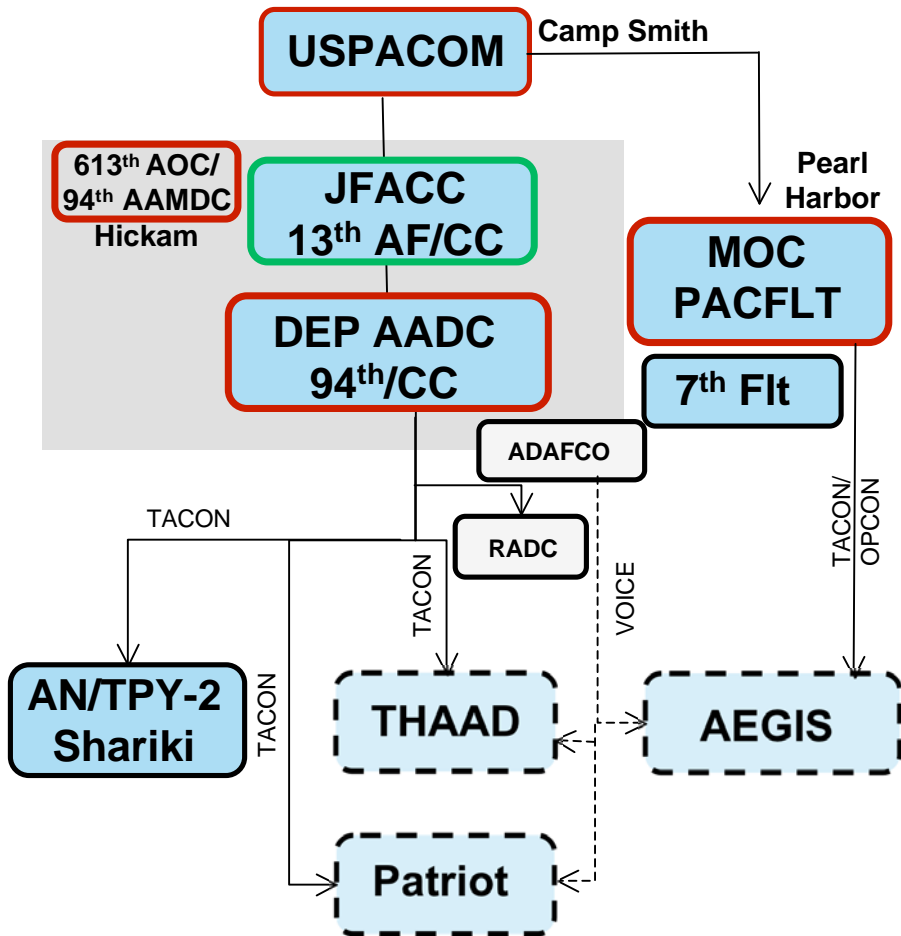
# Command, Control, Battle Management And Communications Integrated Architecture





# BMD C2 Enterprise Comparison PACOM / EUCOM

## Common Operational and System Architectures



AADC: Area Air Defense Commander  
 AAMDC: Army Air and Missile Defense Command  
 ADAFCO: Air Defense Artillery Fire Coordination Officer  
 AOC: Air Operations Center  
 JFACC: Joint Force Air Component Commander  
 MOC: Maritime Operations Center  
 RADC: Regional Area Defense Command

FY11 C2BMC Configuration

- C2BMC EWS
- C2BMC Web Browser

  Deployable Assets



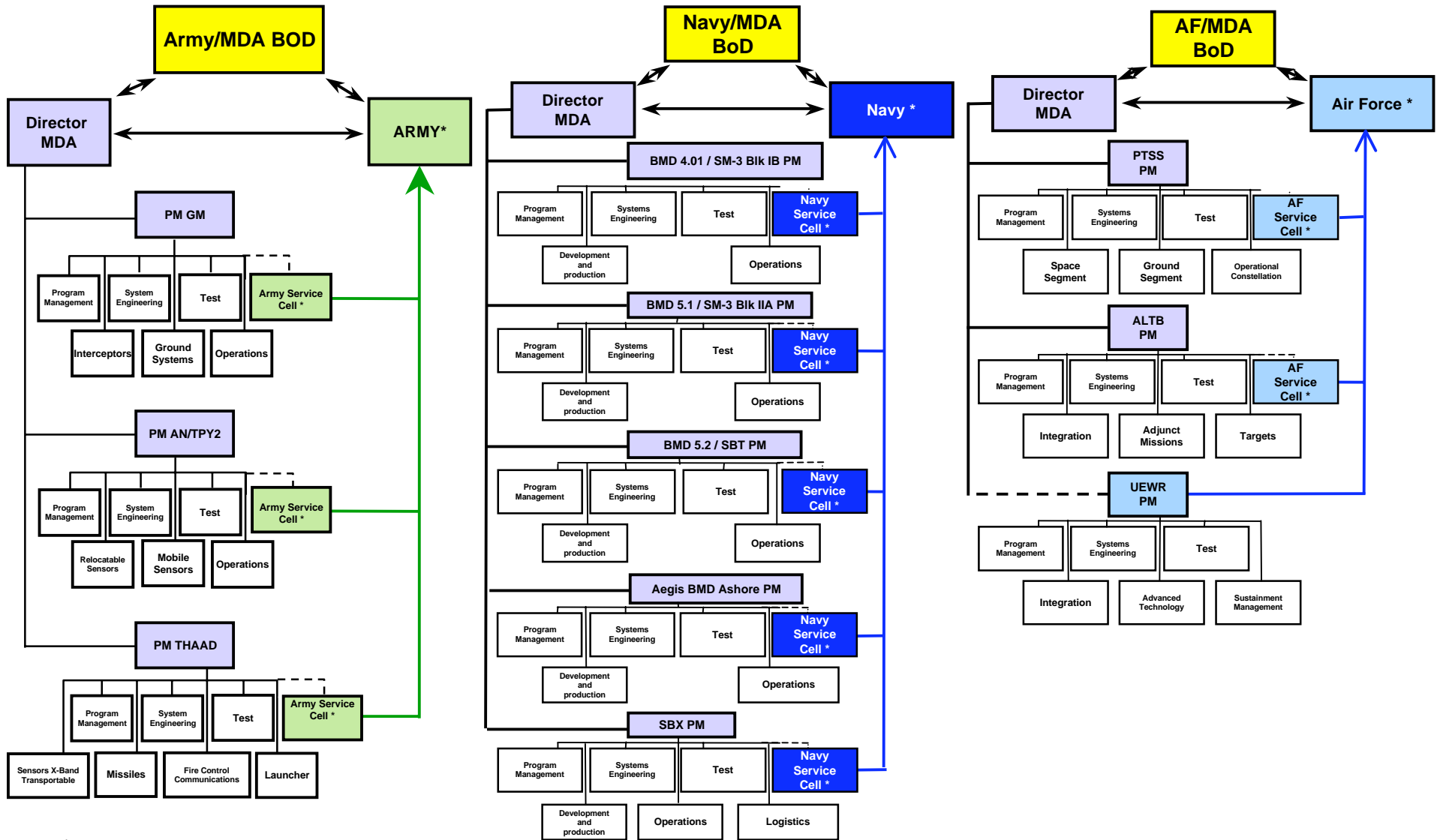
# Challenges

---

- **Evolving threat – raid size**
- **Integrating Command, Control, Battle Management and Communications (C2BMC) across regional commands and geographic environments**
- **Service and COCOM involvement**
- **International partnerships**



# MDA / Service Hybrid Program Offices



\* Provides DOT\_LPF direction

